

Page 1 of 2

See also "9B-SST SOFT START, LED AND CONTROL SCHEMATIC"

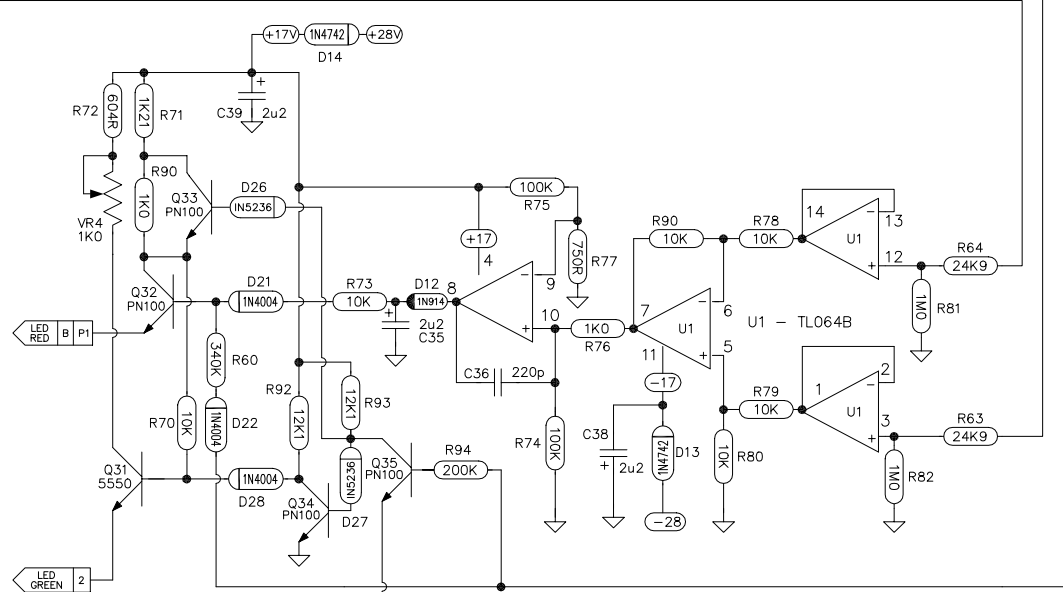
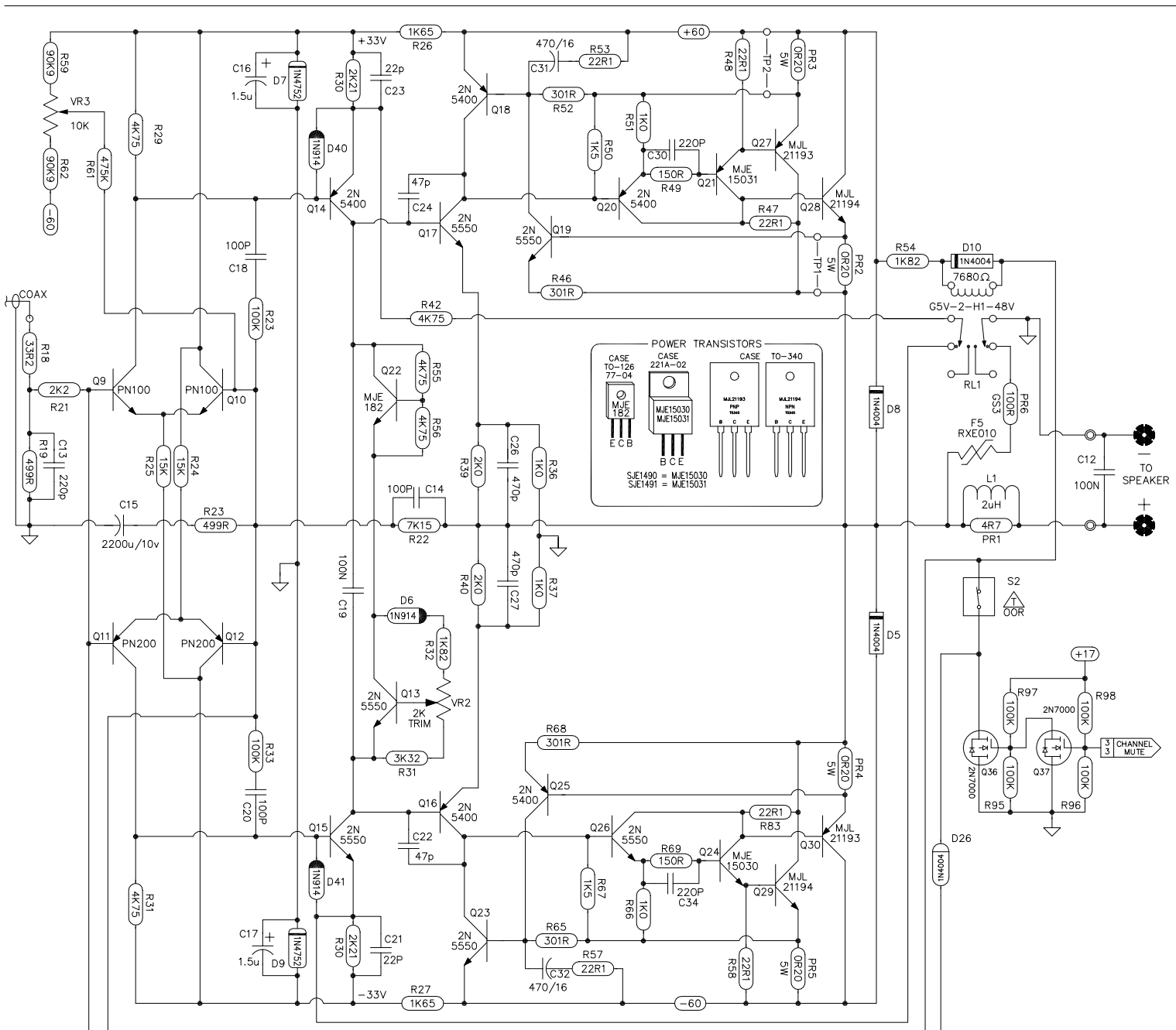
EDGE CONNECTOR P1	ALL RESISTORS ARE 0.6 WATT 1% EXCEPT WHERE NOTED.
← PIN #	REVISION HISTORY
INPUT SEL	R10 - CHANGE OF OUTPUT TRANSISTORS - ADD T36
REG ①	Rev 12 23 May 02 WRP
PRO+6dB ②	Fuse for 230v models bound for England chg'd to 3.15A
UNBAL ③	



BRYSTON LTD
677 NEAL DR. PETERBOROUGH, ONTARIO CANADA K9J 7Y4
PHONE (705) 742-5325 FAX (705) 742-0882

9B-SST CHANNEL ASSEMBLY SCHEMATIC

FILE: 9BSST-SCH12 PART No:
DATE: 23 MAY 2002 DWG BY: **ST** REV: 12



9B-SST CHANNEL ASSEMBLY SCHEMATIC

