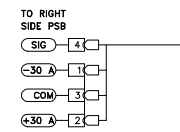
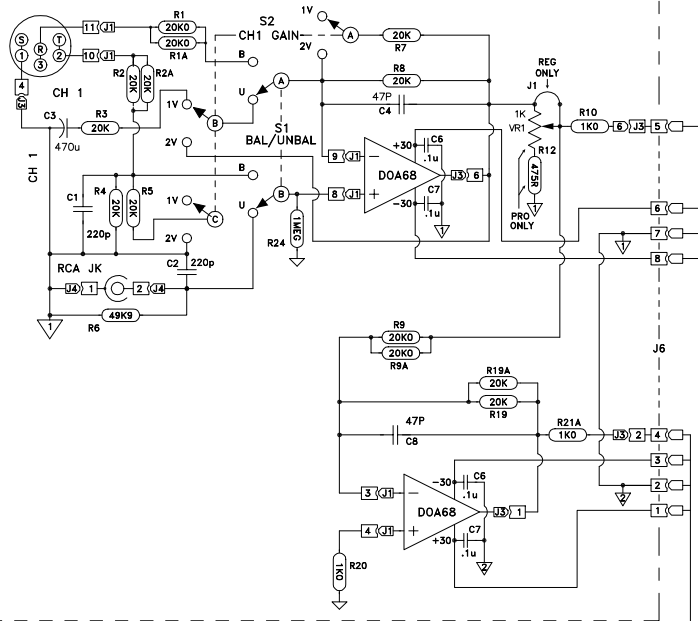


SST 2XLR + SST 2SWITCH PCB'S

INPUT AMPS AND GAIN SELECT

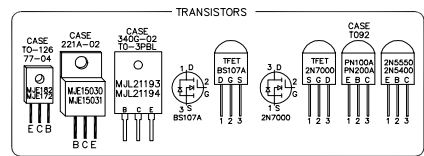


Rev 1c change D3 + D5 ON PSB TO 1N4737.

Rev 1B change C26, C8 to 10N and R44 to 30K1 on SSB

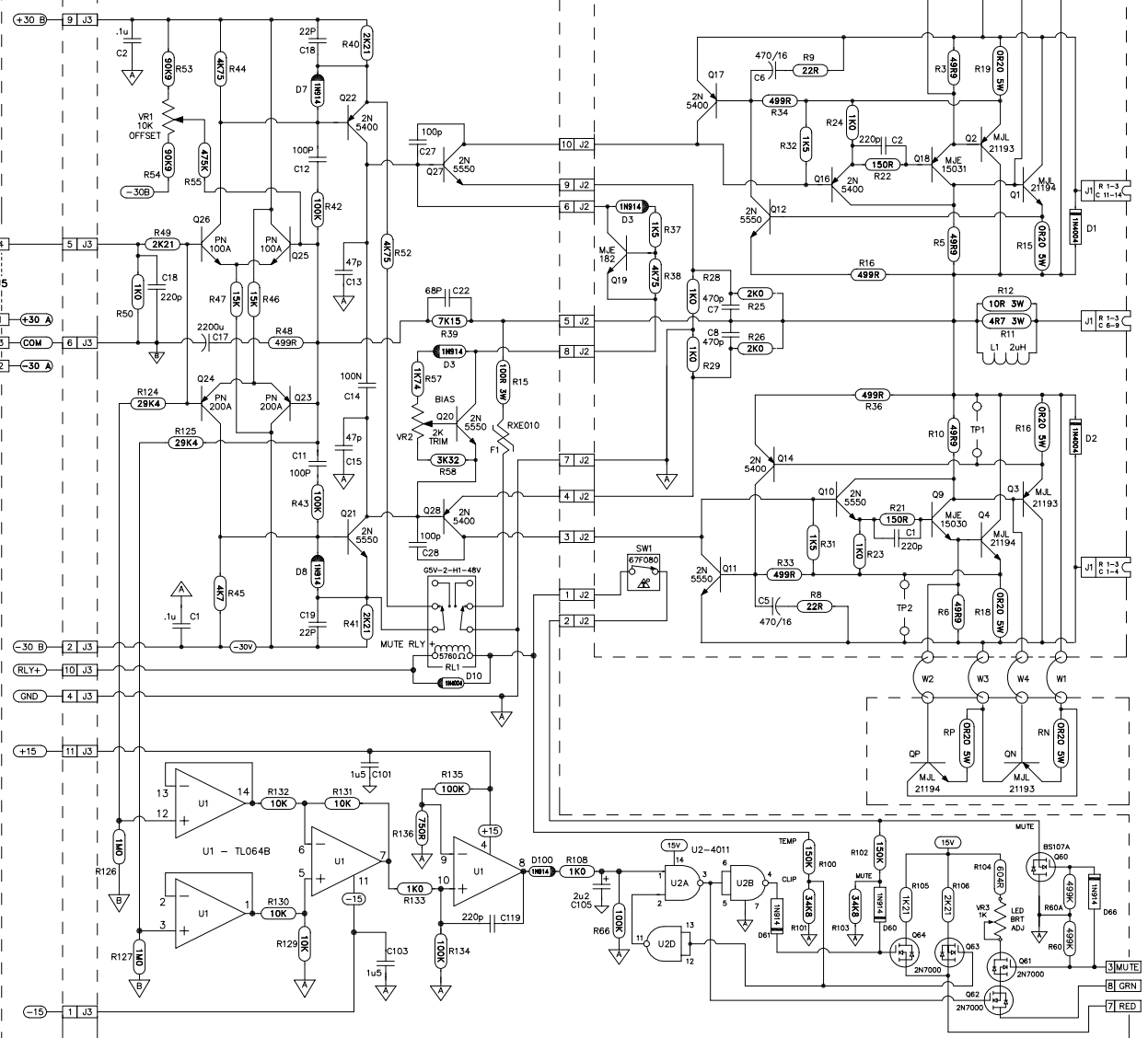
REV 1B JULY 9, 02

ADDED R60A TO MAIN BOARD



SST- MB

SST-PWR 5.25"



**Bryston** LTD

677 NEAL DR. PETERBOROUGH, ONTARIO CANADA K9J 7Y4  
PHONE (705) 742-5325 FAX (705) 742-0882

**7B SST SERIES MODE SCHEMATIC**

SCHEMATICS FOR INPUT - MAIN - POWER AMP

FILE: 7B-SST-SCH1C PART No: PAGE 1 OF 2

DATE: OCT 18, 02 DWG BY: ST REV: 1C

